

We are there when you need us !

SCHOOL

Design | Manufacture | Supply | Install

LAB & CLASSROOM FURNITURE

Boost Your School's Success



Physics Lab

Ignite curiosity through hands-on experiments and scientific discovery.



Chemistry Lab

Explore the molecular world with safe and effective experimental setups.



Biology Lab

Bring biology to life through interactive and engaging practical learning.



Computer Lab

Ergonomic workspace designed with durable, safe, and comfortable furniture.



Custom-built furniture tailored for your lab size, curriculum, and safety needs.

Durable materials | Innovative design | Safe & student-friendly | Education-focused

Future SCIENTISTS START HERE FROM YOUR SCHOOL LABS

WE ARE THERE

**WHEN
YOU
NEED
US!**



About Us

At Metrolabs, we specialize in safe, ergonomic, and purpose-built lab furniture tailored to modern educational needs.

Our solutions are designed to:

- ✓ Boost productivity and innovation
- ✓ Ensure safety and compliance
- ✓ Enhance your school's academic image

💡 **Experience unmatched quality, advanced design, and affordability — all in one place.**



SCHOOL LAB FURNITURE

Design | Manufacturing | Supply | Install



For More Information
www.schoollabfurniture.com



E-mail
enquiry@schoollabfurniture.com



WhatsApp
70100 75103 / 97910 33315

Our Service

- ✓ Free Design Consultation
- ✓ Perfect Quality Manufacturing
- ✓ Safe, Durable Materials
- ✓ Expert Installation & Setup

Why Choose Us

We work directly with schools to understand your academic goals and infrastructure needs. Our custom-built lab furniture solutions perfectly align with your curriculum, teaching style, and **CBSE/board guidelines**.

- ✓ Personalized guidance
- ✓ End-to-end service
- ✓ Quality-driven execution



THANK YOU

FOR CHOOSING METROLABS TO BUILD YOUR DREAM LABORATORY & CLASSROOM

Empowering Your Vision
Delivering Our Expertise



Your trusted partner in building world-class school **laboratories and classroom environments.**

We believe infrastructure shapes the future. Whether it's a **high-performance lab** or an **engaging classroom**, our solutions ignite curiosity, supports learning, and meet every educational standard. From concept to completion — we're with you at every step.

Lab Furniture Solutions

Custom-designed for performance, safety & durability:

- ◆ Physics – Practical & precise.
- ◆ Chemistry – Resistant & secure.
- ◆ Biology – Interactive & hygienic.
- ◆ Computer – Ergonomic & tech-ready.

Classroom Furniture Solutions

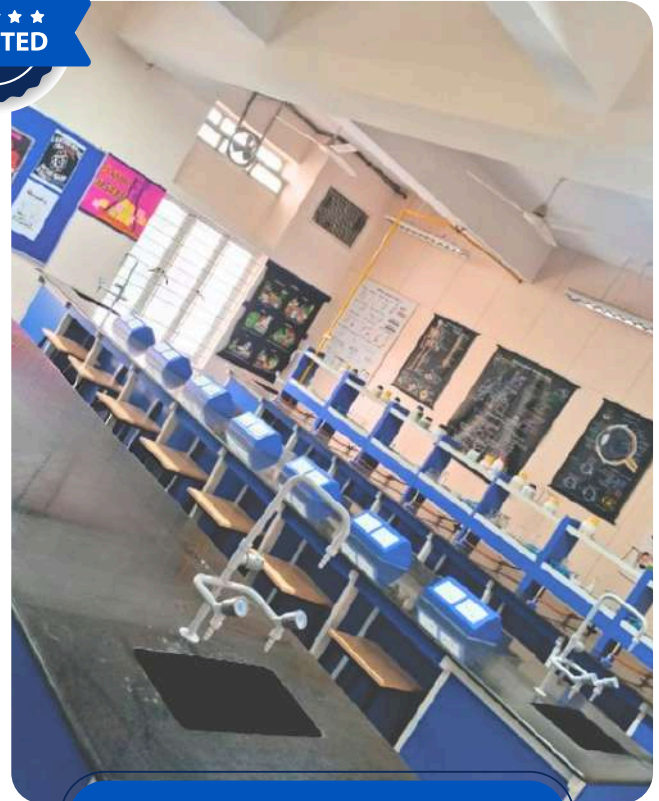
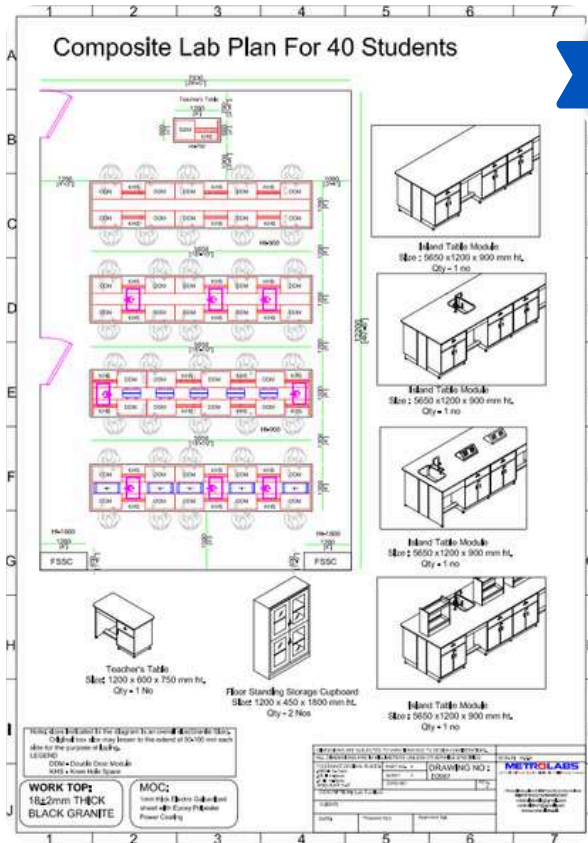
Built for comfort, strength & focus:

- ✓ Student Desks & Chairs.
- ✓ Teacher Tables & Podiums.
- ✓ Storage Units & Display Boards.
- ✓ Ergonomic | ✓ Durable | ✓ Aesthetic |
- ✓ CBSE board Compliance.

Why Metrolabs?

- ✓ Tailored to your curriculum.
 - ✓ Premium quality, hassle-free installation.
 - ✓ Safe, smart, and scalable designs.
- Let's build spaces that inspire learning.

Plan your Lab



Trusted by Schools Across India

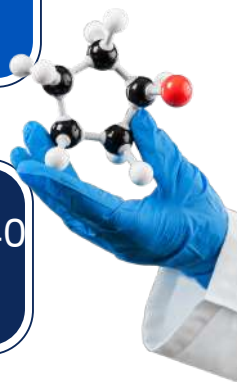
Your reliable partner in design, manufacturing, supply, and installation of school lab and classroom furniture.

- ✓ Expert space planning for safe, functional labs
- ✓ CBSE-compliance design and execution
- ✓ Durable, ergonomic furniture with advanced aesthetics
- ✓ Future-ready labs that support both theory and practice

Perfect Lab Solutions for Classes up to 10th and Senior Secondary

Accommodates 24 to 40 students comfortably

Customizable for different room sizes and subjects



All-in-One Composite Science Lab

Perfectly aligned with CBSE norms for classes up to X

PHYSICS

Build Conceptual Clarity: Through hands-on experiments, students strengthen their understanding of physics principles and discover real-world applications.

CHEMISTRY

Develop Practical Skills: Students engage directly with lab tools like test tubes, beakers, Bunsen burners, and weighing scale—building confidence and core skills for future scientific pursuits.

BIOLOGY

Explore the Living World: Students examine cells under microscopes, study plant or animal samples, and investigate organism behavior—bringing biology to life through observation.



One Lab. Three Disciplines. Countless Learning Opportunities.

Get in touch for custom solutions

70100 75103 | 97910 33315
enquiry@schoollabfurniture.com
www.schoollabfurniture.com



Composite Science Laboratory

Smart Space. Powerful Learning.
One Integrated Lab.

Our Composite Science Lab is ideal for schools up to 10th standard, combining functionality, safety, and modern aesthetics in one powerful setup.

Space & Setup Requirements:

- ✓ Suitable for Classes up to 10th std.
- ✓ Accommodates 24 to 40 students
- ✓ Minimum required area: 600 sq. ft.
- ✓ Modular layout tailored to your room size

Storage cupboards for chemicals & equipment ✓

Fume hoods for safe chemical handling ✓

Workstations designed for collaborative learning ✓



Scan this QR code to explore our YouTube video
on Composite Science Lab Furniture

enquiry@schoollabfurniture.com

70100 75103 / 97910 33315



MARIE CURIE

She was a trailblazing scientist and the first woman to win a Nobel Prize... Her pioneering research laid the foundation for today's nuclear physics and medical treatments.



**CHEMISTRY
LABORATORY
FURNITURE**

DEDICATED LAB

For CBSE, ICSE, IB, and other Indian curriculums

Lab Requirements

- ✓ **Space Requirement:**
600 to 800 sq. ft. to comfortably accommodate 24 to 40 students per session.
- ✓ **Dedicated Storage:**
 - Lockable cupboards for acids, bases, and reagents — placed safely away from student zones.
 - Rust-resistant shelves with protective edges to securely store chemicals.
 - Under-bench cupboards with epoxy coating on counter top for spill safety.
- ✓ **Safety & Functionality:**
 - Proper ventilation to manage fumes and ensure air quality.
 - Demonstration Table with sink and tap — ideal for teacher-led activities and post-session clean-up.

Keep in mind when selecting Lab Furniture



Fire Safety:
All construction materials should be fireproof, preferably pre-treated steel.



Work Surface:
Use 18mm thick black granite for chemical and thermal resistance.



Storage Solutions:

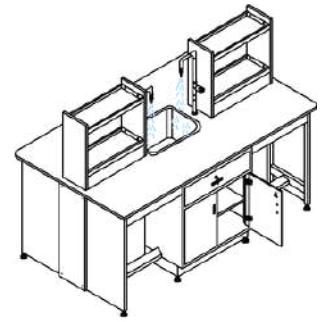
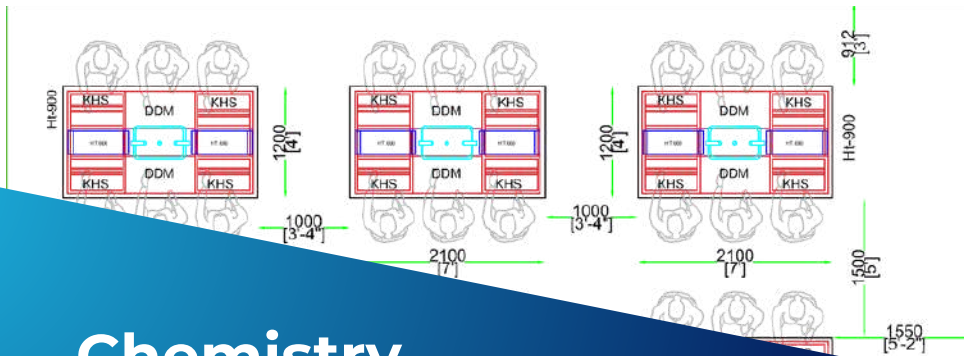
- Under-bench cupboards with powder-coated GI steel.
- Lockable reagent storage for safety compliance.



Rust Resistance:
Fabricated with 1mm GI sheet, powder-coated for corrosion protection



Customization:
Furniture can be tailored with island tables, wall tables, display racks, and various color and finish options.



Chemistry Table
(2100 X 1200 X 900 mm.h))

Chemistry Laboratory Furniture

Nurturing future scientists



Chemistry Lab Tables

Our recommended layout features island lab tables — each accommodating 6 students comfortably, encouraging collaboration and hands-on learning.



Under bench Modules

Maximize space with built-in storage for:

- Chemicals and reagents
- Lab records and documentation
- Instruments and equipment



Complete Lab Bench Setup

Every bench includes:

- ✓ Reagent racks
- ✓ Sink with tap for cleaning of experiments
- ✓ Gas burners for heating
- ✓ Optional: Eyewash or body shower for safety



Built for Long-Term Value

A well-designed chemistry lab supports:

- ✓ Smooth CBSE/ICSE/IB affiliation
- ✓ Greater student capacity
- ✓ Long-lasting furniture
- ✓ An advanced, functional learning space

Customized Design

Tailored layouts to fit your exact room dimensions

Quality Manufacturing

High-end fabrication, budget-optimized

Safe Supply

Secure packaging & delivery with care

On-time Installation

Installed as scheduled – no delays

We, Metrolabs

Experts in lab solutions that are safe, scalable, and curriculum-ready

We have the power to
Create your perfect lab



Scan this QR code to explore our YouTube video on Chemistry Lab Furniture

☎ 70100 75103 / 97910 33315

✉ enquiry@schoolabfurniture.com

🌐 www.schoolabfurniture.com



SIR ISAAC NEWTON

A legendary physicist and mathematician whose discoveries laid the foundation for modern physics and universal gravitation.



PHYSICS LABORATORY FURNITURE

DEDICATED LAB

For CBSE, ICSE, IB, and other
Indian curriculums

Lab Requirements & Design Guidelines

✓ **Minimum Lab Size:**

600 sq. ft. (or more) to support up to 40 students during practical sessions.

✓ **Storage Space:**

- Lockable compartments for the storage of materials.
- Easy-to-manage design for quick teacher access

✓ **Equipment Security:**

- Lockable instrument cabinets
- Protective-lip shelves to prevent items from falling or student misuse

✓ **Ventilation:**

- Adequate airflow for a safe, comfortable learning environment

✓ **Seating Arrangement:**

- 40 durable stools provided for an ergonomic student seating experience

Keep in mind when selecting Lab Furniture



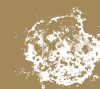
Fire Safety:
All structures made from fire-resistant, pre-treated steel



Work Surface:
Resilient black granite top (18mm thick) for heat & impact resistance



Under-Bench Storage:
Powder-coated metal for equipment & student materials.

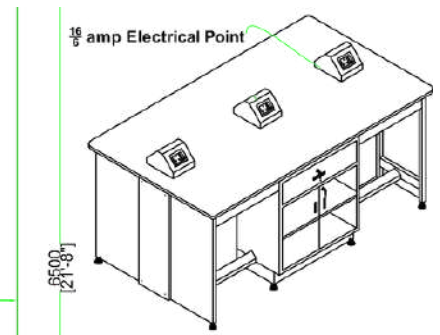
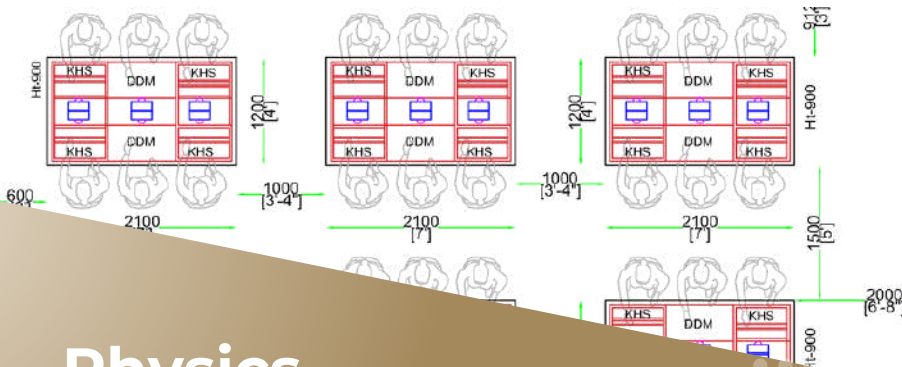


Rust Resistance:
Fabricated with 1mm GI sheet, powder-coated for corrosion protection



Safe & convenient
Physics lab benches with switches, sockets, and optional MCB panel.

We are there **when** you need us !



Physics Table
(2100 X 1200 X 900 mm.ht)

Physics Laboratory Furniture

For future energy creators.
Built for inspired learning.



Physics Lab Tables

Robust island-type lab tables designed to seat 6 students each, ideal for group-based experiments and collaborative learning.



Under bench Modules

Maximum storage with purpose-built compartments for physics tools, instruments, student records, and electrical components.



Lab Bench Design & Fittings

Includes:

- 16/6 Amp Switches & Sockets
- Optional MCB Controls



Emphasizing long-term value

Your Physics Lab setup is a strategic investment in academic excellence and future-readiness.

We align every design with CBSE, ICSE, and global standards, ensuring:

- ✓ Smoother affiliation
- ✓ Better student capacity
- ✓ Safer and smarter learning
- ✓ A future-proof, high-performance lab

Customized Design

Your lab, your way — built exactly to your school's layout.

Quality Manufacturing

Engineered with precision and priced to suit your budget.

Safe Supply

Carefully packaged, securely delivered, ready to install.

On-time Installation

Delivered and installed as scheduled — no delays.

We, Metrolabs

India's trusted name in high-quality school lab furniture solutions.

We have the power to
Create your perfect lab



Scan this QR code to explore our YouTube video on Physics Lab Furniture

70100 75103 / 97910 33315

enquiry@schoolabfurniture.com

www.schoolabfurniture.com



JAGADISH CHANDRA BOSE

Pioneer of Plant Science and Biophysics
He proved that plants can feel and respond to light, heat, and sound. His research connected biology and physics in a unique way. He showed that plants are living beings, like animals and humans. His work laid the foundation for modern biophysics.



BIOLOGY LABORATORY FURNITURE

DEDICATED LAB

For CBSE, ICSE, IB & All Indian Curriculums

Lab Requirements Checklist

- Minimum Lab Size:**
600 sq. ft. minimum – comfortably accommodates 24 to 40 students per session.
- Dedicated Storage:**
Separate lockable cupboards for consumables and biological specimens, ensuring safety and easy access.
- Specimen Safety:**
Preserved specimens and biological materials stored in glass cabinets or powder-coated steel cupboards with protective lips — secured and away from student reach.
- Ventilation Standards:**
Efficient airflow for safety, odor control, and long-term preservation of biological materials.
- Demo Table with Sink:**
Fitted with water taps and drainage for hands-on cleaning, dissection, and demonstration tasks.
- Ergonomic Seating:**
Stools and worktables designed for student posture, allowing comfortable seating during dissection, note-taking, and experiments.

Keep in mind when selecting Lab Furniture



Fire-Safe Construction
Only fire-retardant, powder-coated galvanized steel is used in all lab furniture.



Durable Work Surfaces
18mm acid/alkali-resistant black granite top for hygiene and durability.



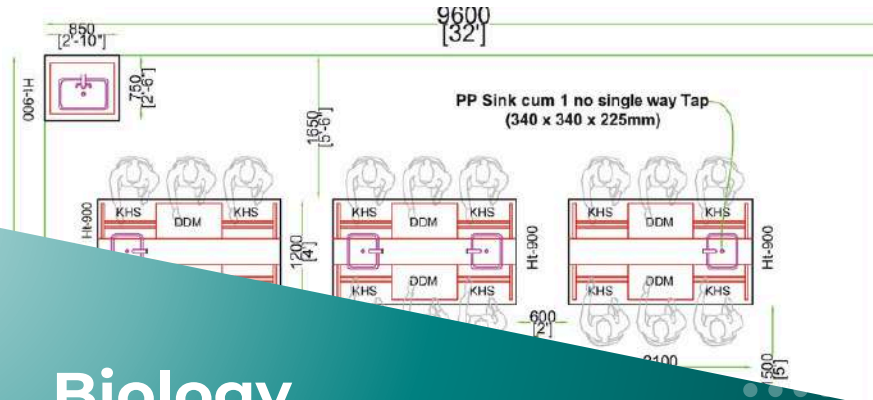
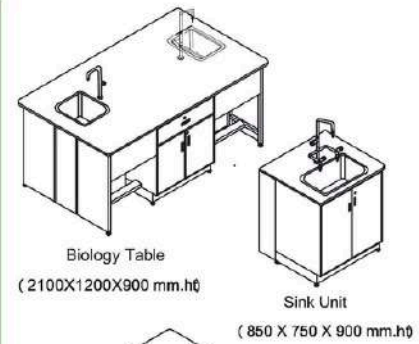
Durable powder-coated storage units – under-bench cupboards and chemical racks with superior corrosion & chemical resistance.



Rust-Free Materials
All steel surfaces are 1mm powder-coated GI (Galvanized Iron) — ensuring years of reliable use.



The furniture should include a sink with taps for washing and general use, while reagent racks for chemical storage can be added as an option.



Biology Laboratory Furniture

Open doors for aspiring biologists



Biology Lab Tables

Our recommended biology lab design includes island lab tables, which comfortably accommodate six students each.



Under bench Modules

Delicate biology instruments, preserved specimens, charts, and sensitive materials should be stored securely in **locked cabinets** or on **sturdy shelves with protective edges**, kept out of student reach. Proper ventilation is essential to ensure freshness and maintain purity.



Lab Bench Outfitting

The standard Biology Lab bench comes with a plumbed sink and taps for cleaning and experiments, along with a stable, vibration-free work surface for microscopes and other lab activities.



Emphasizing long-term value

Our **biology lab setup** is a smart investment in your school's future, supporting smooth affiliation approval, expanding student capacity, and providing **durable, adaptable furniture** designed to last for years — all while creating a modular and fully functional learning environment.

Customized Design
Your lab, your design: We offer customized solutions to fit your exact dimensions

Quality Manufacturing
Exceptional build quality, designed to deliver value without exceeding your budget

Safe Supply
Your order will be carefully packaged, safely transported, and delivered directly to you.

On-time Installation
Your ordered lab furniture will be installed and your dream lab hand over to you as scheduled

We, Metrolabs
Offers custom-designed, high-quality labs tailored to your space and budget, with safe delivery and on-time installation.

We have the power to
Create your perfect lab



70100 75103 / 97910 33315
enquiry@schoollabfurniture.com
www.schoollabfurniture.com

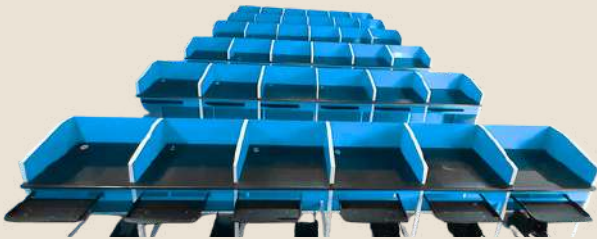
Scan the QR code above to explore our
YouTube video on Biology Lab Furniture



BILL GATES

Co-founder of Microsoft, visionary entrepreneur, and philanthropist. He revolutionized personal computing and inspired generations to explore technology.

His legacy reminds us that great ideas can change how the world learns, works, and communicates.



COMPUTER SCIENCE LAB FURNITURE

DEDICATED LAB

For CBSE, ICSE, IB, and other curriculums in India

Lab Requirements

- **Room Size:** 600–800 sq. ft., ideal for accommodating 30 to 40 students.
- **Seating Arrangement:** Each computer can be shared by 2 students. A 1:1 ratio is preferred wherever possible.
- **Storage:** We provide secure solutions for computer accessories and equipment with lockable cabinets and sturdy shelves and we provide the same.
- **Ventilation:** Ensure proper air circulation or air conditioning for the comfort of students and the safety of computers.
- **Demonstration Table:** Should include a keyboard tray and CPU trolley for conducting live demonstrations.
- **Seating:** Provide comfortable seating to help students focus, observe demonstrations, and take notes efficiently.

Keep in mind when selecting Lab Furniture



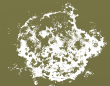
Fire Safety: Use fireproof materials — steel preferred



Work Surface: Use a durable, fire-retardant black granite with a minimum thickness of 18mm.



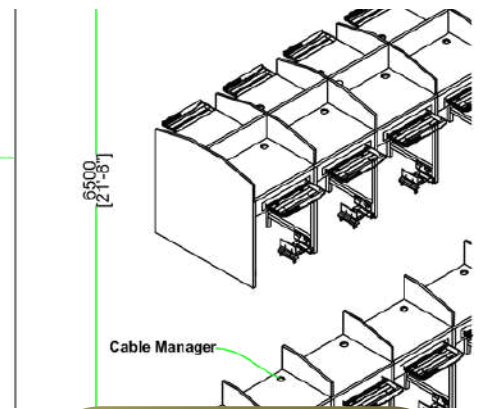
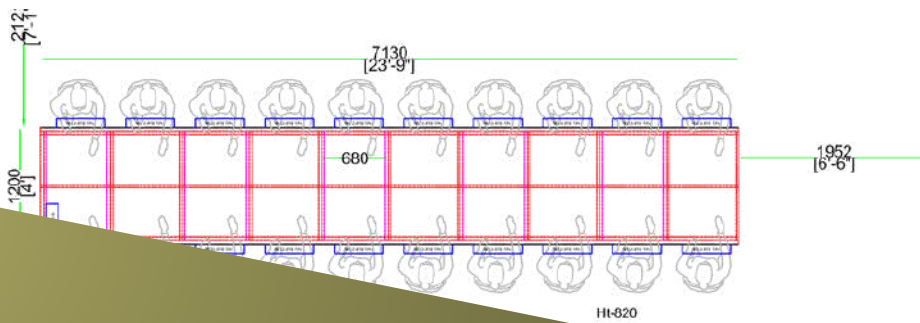
Keyboard-Friendly Design: Include keyboard trays and cable organizers for each station to maintain cleanliness and accessibility.



Rust Resistance: Use rust-free materials such as 1.0 mm thick galvanized iron (GI) with epoxy powder coating.



Storage Cupboards & Lockers: Keep accessories and personal belongings safe.



Computer Science Laboratory Furniture

For a Digitally Driven World



Computer Lab Tables

Our lab designs include island tables and wall-side tables, ergonomically built to ensure comfortable, space-efficient seating for every student with a keyboard and monitor.



Storage Cupboards

Keep your lab neat, safe, and functional. Our lockable cupboards are ideal for storing cables, peripherals, manuals, and other sensitive equipment—protecting them from dust, damage, and unauthorized access. Organized storage also improves maintenance and usability.



Lab Bench Outfitting

Every lab bench comes equipped with:

- Keyboard tray; CPU trolley
- Electrical switches; MCB (Miniature Circuit Breaker)
- This ensures safety, convenience, and proper cable management in all setups.



Long-Term Value & Affiliation-Ready

Invest in a durable, flexible lab solution that aligns with your school's curriculum needs and affiliation requirements. Our furniture is built to last over 15+ years, supports increased student capacity, and creates a smart, modular, and productive environment.

Customized Design

Tailored to your lab's exact dimensions and requirements.

Quality Manufacturing

Engineered with precision and built to fit your budget.

Safe Supply

Securely packed, safely transported, and delivered on time.

On-time Installation

Your lab will be installed as scheduled with zero compromise on quality.

We, Metrolabs

We design and deliver high-quality, affordable computer labs with a focus on safety, durability, and visual appeal.

We have the power to create your perfect lab



70100 75103 / 97910 33315
enquiry@schoollabfurniture.com
www.schoollabfurniture.com

Scan this QR code to explore our YouTube video on Computer science Lab Furniture



SUNDAR PICHAI

CEO at Google and Alphabet, he is a visionary leader who has played a vital role in shaping the future of Artificial Intelligence (AI). Under his leadership, Google has made significant advancements through products like Google Assistant, Google Translate, and Bard, driving improvements in machine learning, cloud computing, and AI ethics.

We are there when you need us !

**ROBOTICS
LAB
FURNITURE**

DEDICATED LAB

For CBSE, ICSE, IB, and all other curriculum.

Lab Requirements

- **Minimum Room Size:** 600 to 800 sq. ft. for 30-40 students.
- **Seating Arrangement:** Should accommodate six students / 3 by 3 ratio where possible.
- **Robotics Instruments:** All instruments and related materials must be stored securely in locked cabinets or on sturdy purpose-built furniture. Proper ventilation and air conditioning are essential to maintain optimal working conditions for students .
- **The Robotics Lab Demonstration Table:**
 - Dimensions: 6' x 4' x 4' with a height range of 30"-36".
 - Frame: Fabricated from heavy-duty, powder-coated steel or galvanized iron.
 - Work Surface: Consists of laminated MDF with a matte finish.

Remember to select the Lab Furniture



Fire Safety: All construction materials must be fireproof and preferably steel.



Work Surface: 18mm thick black granite or laminate surface for a smooth, durable finish.



Standard Keyboards and mouse: The racks required for each computer are optional. The monitor stands are also optional. We also provide trolleys for CPUs, so they are readily accessible.



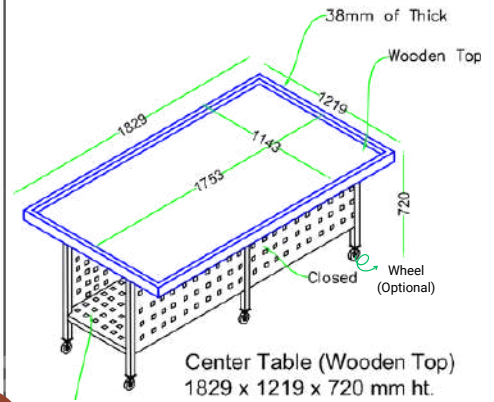
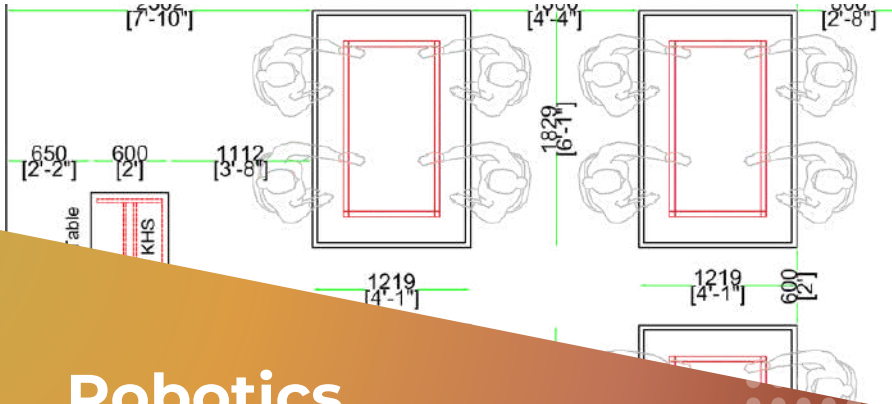
Rust Resistance: Our rust-resistant paint finish, applied at a thickness of 1 to 1.2mm, should be used for all furniture.



Modular Design: Can be customized with modular partitions for a multi-purpose use.



We are there when you need us!



Robotics Laboratory Furniture

Ignite Innovation, Hands-on Learning & Problem-Solving Skills



Robotics Lab Tables

Designing a lab that supports flexible, future-ready workstations for robotics, coding, and electronics. Our smart lab setups include:

- Individual Tables for focused student work
- Collaborative Tables for team projects
- Island Workbenches for hands-on group experimentation

▶ Recommended size: 1200mm x 600mm per student
Each layout can be tailored based on your lab's dimensions and learning objectives.



Storage Cupboards

Organize, protect, and streamline your lab tools. Lockable cupboards to store wires, sensors, peripherals, and manuals securely—keeping them safe from dust, damage, and unauthorized access. Efficient storage also enables quick maintenance and easy tool access during lab sessions.



Built for Long-Term Value

Our Robotics lab solutions are a smart investment for your school's future:

- Support affiliation standards
- Increase student engagement
- Withstand years of regular use

With a modular, durable, and adaptable layout, you create a truly functional and inspiring space for next-gen innovators.

Customized Design

We offer personalized designs tailored to your exact dimensions and teaching needs.

Quality Manufacturing

Precision-built, highly durable, and competitively priced to fit your school's budget.

Safe Supply

Your lab furniture is carefully packed, transported, and delivered securely.

On-time Installation

Installation is done as scheduled—ensuring minimal disruption to school operations.

We Metrolabs

Trusted providers of high-quality, affordable, and safe lab solutions across India. Engineered for modern education.

We have the power to
Create your perfect lab



Scan this QR code to explore our YouTube video on Robotics Lab Furniture

70100 75103 / 97910 33315
enquiry@schoollabfurniture.com
www.schoollabfurniture.com



SRINIVASA RAMANUJAN

Self-taught mathematical genius. Ramanujan's intuitive grasp of complex mathematical concepts and his discovery of over 3,900 mathematical results continue to inspire mathematicians, scientists, and students across the world. His legacy is a testament to the power of curiosity, passion, and perseverance.

MATHEMATICS LAB FURNITURE

DEDICATED LAB

For CBSE, ICSE & State Board Schools

- **Room Size:** Minimum recommended area of 500 sq. ft.
- **Seating Capacity:** Adequate to accommodate 40 students at a time.
- **Seating Arrangement:** Minimum students per table to ensure comfort and effective participation.
- **Table Design Options:** Flexible choices including Round, Hexagonal, Rectangular, Trapezium and other ergonomic shapes.
- **Storage Facilities:**
 1. Dedicated cupboards for Mathematics materials.
 2. Lockable storage units for both teacher and student tools.
 3. Open storage zones for quick and easy access to instruments and learning aids.
- **Layout:** Well-spaced furniture arrangement to support both individual and group learning.
- **Teacher Accessibility:** Strategic positioning of workstations to facilitate easy supervision and interaction.
- **Adaptability:** Designed to support board-aligned academic activities as well as hands-on practical experiments.

Remember to select the Lab Furniture



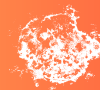
Fire Safety: All construction materials must be fireproof, preferably steel



Work Surface: 18mm thick black granite or laminated MDF for a smooth, durable finish



Math kits for Junior and Senior students should be easily accessible. Storage trolleys or cabinets help in organizing and maintaining the kits efficiently.

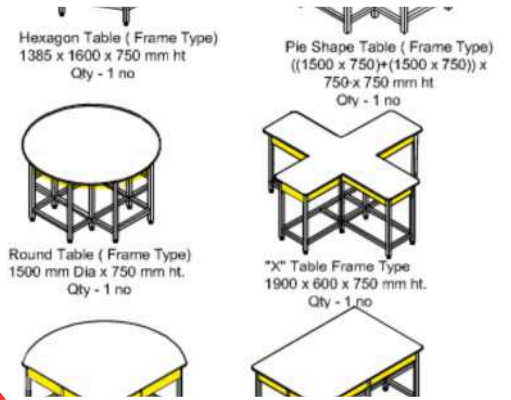
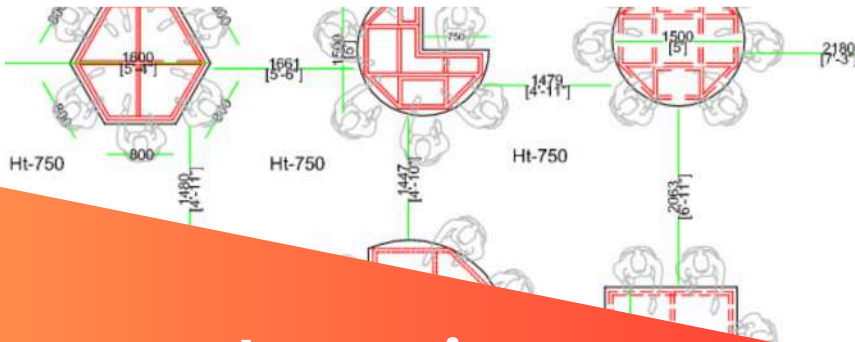


Rust Resistance: Rust-free materials, such as 1 to 1.2mm thick galvanized iron (GI), should be used.



Modular Design: Can be customized with movable partitions for multi-purpose use





Mathematics Laboratory Furniture

Shaping Future Mathematicians with Hands-On Learning

Mathematics Lab Tables



Our recommended designs include island lab tables and/or wall-side tables, perfectly accommodating students for interactive, hands-on mathematical exploration. Choose from round, hexagonal, or rectangular configurations based on your lab size and student strength.

Storage Cupboards



- Storage Cupboards: Safe and organized space for instruments and materials.
- Lockable Units: Secure tools and prevent misuse.
- Open Racks: Easy access for daily use.
- Durable Build: Strong and long-lasting furniture.

Lab Bench Outfitting



Our standard Maths Lab bench designs are spacious, ergonomic, and built to support modern teaching methods. They provide optimal teacher-student interaction and can be customized to fit any classroom layout.

Mathematics Lab Kits



We supply Mathematics Lab Kits designed for **both Junior and Senior students**. Each kit includes hands-on learning tools to make math fun and easy to understand. Our kits help students explore key concepts through activity-based learning. Durable, well-organized, and CBSE-compliant materials. Ideal for enhancing logical thinking and classroom participation.

Customized Design

We tailor every lab to your space and dimension needs—no compromises.

Quality Manufacturing

Precision-built with premium materials—affordable, durable, and elegant.

Safe Supply

Your lab furniture is safely packed, shipped, and tracked until it reaches your school.

On-time Installation

We ensure quick and professional installation—ready when you are!

We Metrolabs

End-to-end support—from planning and production to delivery and setup.

We have the power to
Create your perfect lab



Scan this QR code to explore our YouTube video on Mathematics Lab Furniture

70100 75103 / 97910 33315

enquiry@schoollabfurniture.com

www.schoollabfurniture.com



THIRUVALLUVAR

Thiruvalluvar was a celebrated Tamil poet and philosopher, best known for his timeless literary work, the **Tirukkural** — a classic text of ethical and moral teachings. His verses cover virtue, wealth, and love, offering practical wisdom on leading a righteous and fulfilling life.



LANGUAGE LAB FURNITURE

DEDICATED LAB

For CBSE, ICSE, IB & All
Curriculum in India

- **Room Size:** Minimum 600 sq. ft. recommended to accommodate 40 students.
- **Seating Arrangement:**
 - Ideally a 1:1 student-to-computer ratio for effective language practice and assessments.
 - Layout should ensure clear visibility, audibility, and easy teacher-student interaction.
- **Storage Solutions:**
 - Lockable storage cabinets for safe keeping of microphones, headphones, and other audio devices.
 - Under-table shelves or wall-mounted units for organized access to textbooks, worksheets, and learning aids.
- **Workstation Design:**
 - Ergonomically designed seating and tables to ensure student comfort during extended sessions.
 - Provision for wiring, cabling, and power outlets to support ICT-based activities.
- **Demonstration Table (for Teacher/Instructor):**
 - Size: 6 ft × 4 ft or 8 ft × 4 ft
 - Height: 30 inches
 - Material: Powder-coated galvanized iron frame for strength and durability
- **Worktop:** 18 mm high-strength black granite; alternative worktop materials available on request.

Remember to
select the Lab
Furniture



Fire Safety
All materials used
are fireproof,
termite-resistant,
and built to last.



Durable Work
Surfaces
Options include
18mm thick black
granite or laminated
MDF for a smooth,
long-lasting finish.



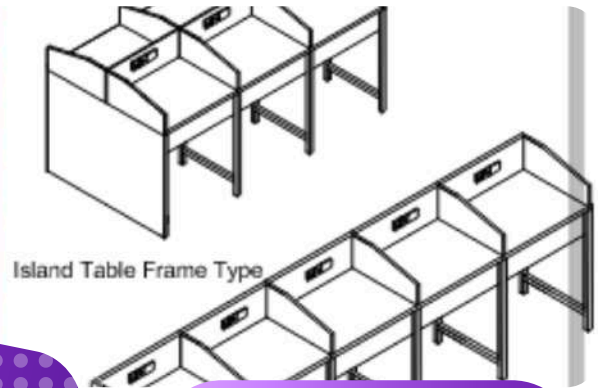
Keyboard
Accessibility
Workstations
accommodate
standard keyboards,
ensuring comfort and
functionality. Monitor
& CPU



Rust Resistance
Structures are made
of galvanized iron (GI)
or powder-coated
steel for corrosion
protection.



Modular designs
enable easy
customization for
single-user or multi-
user setups.



Language Laboratory Furniture

Empowering Future-Ready Learners



Language Lab Tables

Our ergonomic lab designs include Island Tables and Wall-Side Tables—engineered to comfortably seat students at each workstation with easy keyboard access and maximum workspace efficiency.



Storage Cupboards

Keep lab equipment safe and organized:

- Lockable cupboards protect headphones, microphones, and learning tools from damage or unauthorized use.
- Thoughtfully designed to maximize space and simplify access.
- Promotes easy lab maintenance and long-term efficiency.



Flexible Bench Options

Standardized Language Lab Bench configurations available in both plain and custom layouts to suit your space and teaching style.



Built for Long-Term Value

Our Language Lab setup is a smart investment in your school's future — supporting smooth affiliation, increasing student intake capacity, and offering durable, flexible furniture built to last long. It creates an interactive learning environment that actively enhances language development and student engagement.

Customized Design

Built to your blueprint—designed to fit your exact room dimensions and needs.

Quality Manufacturing

Crafted with precision. Durable, budget-conscious solutions backed by our lab furniture expertise.

Safe Supply

We ensure every item is safely packed and securely delivered to your school, ready for hassle-free installation.

On-time Installation

Our expert team will install your lab on schedule—handing over a fully ready lab you can start using immediately.

We Metrolabs

A smart investment in future-ready education. Designed for durability, functionality, and enhancement of communication skills.

We have the power to
Create your perfect lab



Scan this QR code to explore our YouTube video on Language Lab Furniture

70100 75103 / 97910 33315

enquiry@schoolabfurniture.com

www.schoolabfurniture.com

Storage Racks and Cupboards

Optimized Storage for Safer, Smarter Learning Spaces

Efficient storage is the backbone of any well-organized school laboratory. Our storage solutions are designed to:

- Maximize lab space; Protect valuable instruments and chemicals
- Simplify inventory management; Streamline workflow
- Enhance safety and accessibility; Comply with lab infrastructure norms

Well-designed storage not only improves functionality—it creates a safer, distraction-free environment for focused learning and exploration.



WALL STORAGE CUPBOARDS

- **Durable Construction:** Fabricated from corrosion-resistant Galvanized Iron (GI) sheets for superior strength.
- **Adjustable Thickness:** Choose from 1-2 mm GI sheet thickness to match load and size requirements.
- **Reinforced Frame:** Engineered with internal GI framework to support heavier doors and ensure long-term stability.
- **Secure Wall Mounting:** Includes brackets or keyhole slots for even load distribution and vibration resistance.
- **Protective Finish:** Coated with epoxy powder for durability, sleek, and rust-resistant.

LOCKER CUPBOARDS

- **Heavy-Duty Body:** Made with high-grade GI sheets for exceptional corrosion resistance and lasting durability.
- **Custom Thickness:** Available in 1-2 mm GI sheet, tailored to your specific load needs.
- **Reinforced Design:** Internal GI framework adds strength to support locks and doors.
- **Smooth-Finish Doors:** Epoxy-coated GI doors ensure durability and a professional appearance.
- **Raised Base:** Elevated GI platform prevents ground contact—protecting from moisture and enhancing longevity.

FILE RACKS

- **Sturdy Build:** Manufactured from GI sheets for rust-free performance and structural integrity.
- **Adjustable Gauge:** Available in 1-2 mm thickness, depending on storage capacity.
- **Efficient Organization:** Shelves feature dividers for streamlined file storage and categorization.
- **Reinforced Support:** Internal GI framework ensures added durability.
- **Elevated Base Design:** Raised feet minimize floor wear and extend the product's lifespan.



FLOOR STANDING CUPBOARDS

- **Heavy-Duty Storage, Designed for Everyday Lab Use**
- **Rugged Build:** Fabricated from Galvanized Iron (GI) sheets with superior corrosion resistance.
- **Professional Look:** Epoxy-coated finish offers a sleek appearance while enhancing strength and longevity.
- **Reinforced Frame:** Designed with an internal GI framework for maximum durability and load support.
- **Spacious & Secure:** Full-length doors and optional locking systems ensure easy access and safety.
- **Tailored Solutions:** Available in customizable sizes, internal layouts, and partitioning to suit specific lab needs—chemicals, models, instruments, and more.



DISPLAY CUPBOARDS

- **Showcase. Store. Secure.**
- **Corrosion-Resistant Durability:** Our cupboards are built using premium-quality Galvanized Iron (GI) sheets, ensuring long-lasting protection against rust, chemical spills, and daily wear—perfect for laboratory conditions.
- **Reinforced Structure:** Each unit is designed with a strong internal GI frame that enhances stability and durability. The shelving is paired with glass doors, making it easier to display and access materials while maintaining safety and organization.



OPEN RACKS

- **Versatile, Heavy-Duty Racking for Labs and Beyond**
- **Industrial Strength:** Built using Cold-Rolled Close Annealed (CRCA) steel for high-load capacity, long-term use, and workplace safety.
- **GI Construction:** Made from Galvanized Iron sheets to resist rust and corrosion in lab environments.
- **Powder-Coated Finish:** Smooth, matte epoxy surface resists abrasion, moisture, and chemicals.
- **Smart Utility:** Ideal for frequently accessed materials, cartons, and bulky tools. Perfect for labs from Physics & Chemistry to Robotics & Computer Science.

LABORATORY STOOL

NON REVOLVING

OUR VARIETIES - YOUR CHOICE



NON Revolving - GI TOP

- **Durable & Customizable** – Built for long-lasting use in CBSE school labs.
- **Strong & Sturdy** – 1 mm thick pre-coated galvanized iron top (Tata Steel) with a 15 mm lipped edge for extra durability.
- **Stable Frame** – Made from 30×30×1 mm CRCA square tubing for strength and stability.
- **Corrosion Resistant** – Epoxy powder-coated finish protects against rust, wear, and chemicals.
- **Custom Color Options** – Top available in Blue, Green, Red, Orange, Grey, or Black with Ivory/Half-White frame.
- **Space-Efficient Design** –
 - Top: 12” Square (with 15 mm lip)
 - Base: 14.5” Square
 - Height: 21” – Perfect for lab workstations
- **Leveling Screws (Bush)** – Ensures perfect balance on uneven floors.
- **Low Maintenance** – Easy-to-clean surface resists stains and chemicals.
- **Heavy-Duty Performance** – Designed for demanding lab environments.

Classic Wooden Top School Lab Stools

- **Smooth & Comfortable** – 15” round wooden top (18±1 mm thick) for a warm, comfortable seating experience.
- **Strong Frame** – 30×30×1 mm CRCA square tubing for durability.
- **Rust Protection** – Epoxy powder-coated frame for resistance to wear and corrosion.
- **Custom Color Choices** – Available in Ivory, White, Red, Blue, or Green.
- **Compact & Practical Design** –
 - Top: 15” Round
 - Base: 14.5” Square
 - Height: 21” – Ideal for lab and classroom use
- **Leveling Screws (Bush)** – Keeps stool steady on all surfaces.
- **Easy to Maintain** – Smooth wooden surface for quick cleaning.
- **School-Friendly** – Perfect for CBSE labs and other educational spaces.



www.schoollabfurniture.com

ORDERING INFO:

70100 75103 / 97910 33315
enquiry@schoollabfurniture.com

Fume Cupboards

Protective Ventilation for Safer School Laboratories

Fume cupboards are essential for maintaining a safe and healthy environment in school science labs—especially those following the CBSE curriculum, where hands-on experiments are a core component. These units ensure that harmful chemical fumes, vapors, and gases are effectively vented away from students and teachers.

Why we Need



Protect Students & Teachers from Harmful Fumes. Many chemicals used in experiments release toxic gases that can be dangerous if inhaled. Fume cupboards are designed to ventilate these emissions safely, ensuring clean, breathable air in your lab.



Support Practical, Hands-On Learning CBSE emphasizes experiential learning—particularly in Chemistry and Biology. Fume cupboards allow schools to conduct real experiments involving hazardous chemicals while keeping everyone safe.



Enhance Lab Safety & Compliance Fume cupboards are an essential safety investment that reduces exposure risks and meets modern laboratory safety standards.



Meet CBSE & Government Safety Norms Schools are required to follow specific safety regulations related to chemical handling. Fume cupboards help meet these statutory safety requirements for CBSE-affiliated institutions.

Contacts

Prioritize student safety with our high-quality, lab-grade fume cupboards. Built for durability, protection, and peace of mind, our units help schools foster a secure environment for learning.

70100 75103 / 97910 33315
www.schoollabfurniture.com
enquiry@schoollabfurniture.com



APJ ABDUL KALAM

He saw labs as spaces where students could develop a scientific temperament, characterized by curiosity, critical thinking, and problem-solving skills. He wanted students to question, explore, and innovate.

Under bench Storage module

Specifications & Key Features

Strong. Secure. Durable.



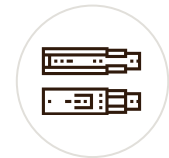
Durable GI Construction -
Made from high-quality
galvanized iron



Protective Powder
Coating - Resists
scratches, chemicals,
and daily wear & tear



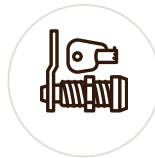
Smart Design -
Drawer at the top
for easy access



Smooth Drawer
Operation -
Telescopic ball-
bearing slides



Smart Design - double
doors at the bottom for
storage flexibility



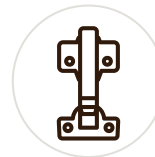
Secure Locking
System - Cam lock
with dual keys



Ergonomic Handles -
Recessed flush handles for
safety and clean aesthetics



Perfect Stability - Bottom
levelling bushes on all four
sides for a sturdy setup.



Quiet & self Closing Hinges -
extends product life.

Our modules are constructed using galvanized iron sheets made of zinc-electroplated low-carbon steel with a thickness of 1 or 1.2 mm.

- **Surface Finish:** Baked epoxy powder coating for durability and UV resistance.
- **Chemical & UV Resistance:** Built to withstand school lab conditions.
- **Testing & Certification:** Data available upon request.

LABORATORY FURNITURE WORK TOPS / TABLE TOPS

Select the perfect laboratory worktops for your school

Strong.
Chemical-
Resistant.
Elegant.
Enduring

BLACK GRANITE WORKTOP



✓ **Premium Work Surface:** Crafted from **18 mm thick black granite**, providing exceptional **durability, strength**, and resistance to scratches, heat, and chemicals.

✓ **Protective Epoxy Coating:** Seamless, **non-porous finish** shields against chemical spills, stains, corrosion, and moisture – ideal for science labs handling acids, reagents, and biological materials.

✓ **Easy to Maintain:** Smooth surface ensures **quick cleaning** and supports hygienic lab conditions.

✓ **Long-lasting Reliability:** Combines the **natural toughness of granite** with epoxy's chemical resistance for years of dependable use in high-traffic school labs.

✓ **Elegant Look:** The **sleek black finish** enhances the lab's professional and modern appeal.



Durable.
Stylish. Safe.
Long-lasting

HIGH PRESSURE LAMINATE (HPL)



✓ **Durable & Impact Resistant:** Tough, high-density surface resists scratches, wear, and heavy student use.

✓ **Moisture, Heat & Chemical Resistant:** Non-porous top withstands humidity, hot apparatus, and laboratory chemicals without damage.

✓ **Hygienic & Easy to Maintain:** Smooth, sealed surface prevents bacterial growth and allows effortless cleaning after experiments.

✓ **Attractive & Long-Lasting Finish:** Available in various colors and textures; maintains a modern look with long service life.



Lab Furniture Materials Specifications



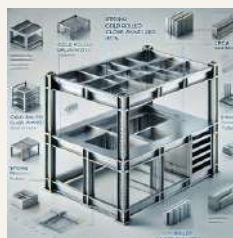
PRODUCTS

Granite Worktops



- ✓ **Exceptional Durability:** 18 mm thick, strong, and built for heavy-duty use.
- ✓ **Epoxy-Coated Surface:** Extra protection against chemicals and stains.
- ✓ **Smooth, Easy-to-Clean Finish:** Non-porous surface for hassle-free maintenance.
- ✓ **Chemical Resistance:** Withstands acids, alkalis, and solvents.

Material of Construction



- ✓ **Under-Bench Modules:** Made with durable galvanized iron (GI) sheets for corrosion resistance.
- ✓ **Robust Frame Structure:** Strong CRCA square/rectangular tubes ensure stability.

Powder Coating Finish



- ✓ **Corrosion Protection:** Durable epoxy-based powder coating.
- ✓ **Premium Finish:** 60-100 microns thick for extra durability.
- ✓ **Custom Colours:** Standard or tailor-made shades for branding or aesthetics.
- ✓ **Full Coating:** Interior and exterior treated for long-lasting performance.

ACCESSORIES

Two-Tier Reagent Rack



- ✓ **Heavy-Duty Build:** Strong GI sheet for long-lasting performance.
- ✓ **Corrosion Resistance:** Epoxy-coated for durability and sleek appearance.
- ✓ **Chemical Protection:** 3 or 4 mm thick PP sheet covering for extra safety.
- ✓ **Space-Saving Design:** Two-tier structure with multiple size options.
- ✓ **Custom Options:** Available in different lengths to suit lab layouts.

Sinks & Faucets



- ✓ **High-Quality Polypropylene:** Chemically inert and durable.
- ✓ **Acid & Alkali Resistant:** Safe for all lab-grade use.
- ✓ **Sleek Black Finish:** Professional and modern look.
- ✓ **Multiple Sizes** – 340×340 mm, 560×355 mm, 600×450 mm.
- ✓ **Easy to Clean** – Non-porous surface for hassle-free maintenance.
- ✓ **1-Way / 3-Way Brass Water Tap:** Epoxy Fusion Bonded in Elegant Grey Finish, featuring a 360° Swivel.

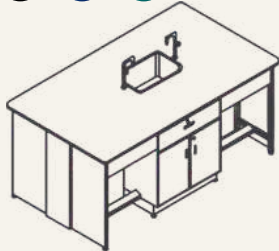
Electrical & Safety Features



- ✓ **Versatile Power Options:** 16A & 6A sockets for varied equipment.
- ✓ **Safety Lock Systems:** Secure usage in school labs.
- ✓ **MCB Protection:** Ensures overload and short-circuit safety.
- ✓ **Durable Build:** Long-lasting and high-quality components.
- ✓ **User-Friendly Design:** Easy operation for both teachers and students.

STANDARD SIZE LAB FURNITURE

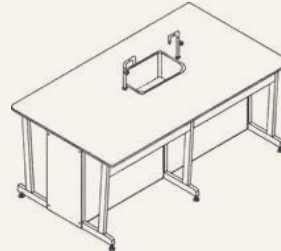
ISLAND TABLE - BIOLOGY



7 x 4 x 3 ft. / 8 x 5 x 3 ft.

Under Bench Module

- ✓ Features two storage modules for efficient organization.
- ✓ Each module includes a drawer and a double-door cupboard with an adjustable partition.
- ✓ Equipped with flush handles, a cam lock, and dual keys for security.
- ✓ Customizable color options to match your lab aesthetics.

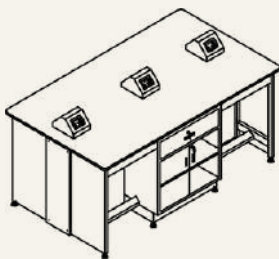


7 x 4 x 3 ft. / 8 x 5 x 3 ft.

Frame Type

- ✓ Made with 40 x 40 mm or 60 x 30 mm CRCA hollow square tube for stability.
- ✓ Includes a polypropylene (PP) sink with two single-way water taps for easy access to water.
- ✓ Optional color customization.

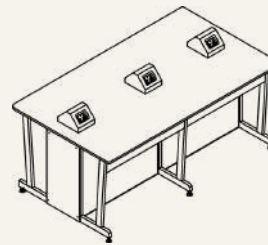
ISLAND TABLE - PHYSICS



7 x 4 x 3 ft. / 8 x 5 x 3 ft.

Under Bench Module

- ✓ Equipped with a two-side usage electrical box featuring switches and sockets.
- ✓ Includes two under-bench storage modules for efficient organization.
- ✓ Fitted with flush handles, cam locks, and adjustable stoppers.
- ✓ Color customization available.

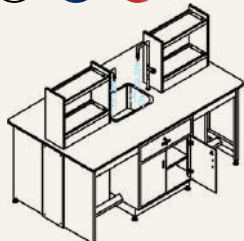


7 x 4 x 3 ft. / 8 x 5 x 3 ft.

Frame Type

- ✓ Made with 40 x 40 mm or 60 x 30 mm CRCA hollow square tube for stability.
- ✓ Equipped with a two-side usage electrical box featuring switches and sockets.
- ✓ Customizable color options to suit laboratory requirements.

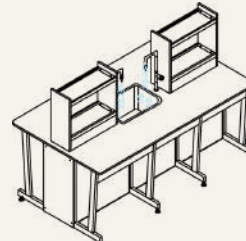
ISLAND TABLE - CHEMISTRY



7 x 4 x 3 ft. / 8 x 5 x 3 ft.

Under Bench Module

- ✓ Features two reagent shelves for convenient chemical storage.
- ✓ Includes a polypropylene (PP) sink with two single-way water taps for easy access to water.
- ✓ Comes with two under-bench storage modules, each with one drawer and double-door cupboard.
- ✓ The cupboard includes an adjustable partition for flexible storage.
- ✓ Designed with flush handles, a cam lock, and dual keys for security.
- ✓ Customizable color options to match laboratory aesthetics.

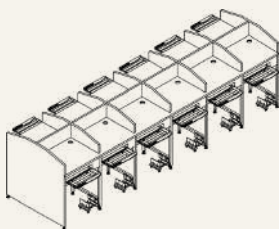


7 x 4 x 3 ft. / 8 x 5 x 3 ft.

Frame Type

- ✓ Made with 40 x 40 mm or 60 x 30 mm CRCA hollow square tube for stability.
- ✓ Features two reagent shelves for convenient chemical storage.
- ✓ Includes a polypropylene (PP) sink with two single-way water taps for easy access to water.
- ✓ Customizable color options to match laboratory aesthetics.

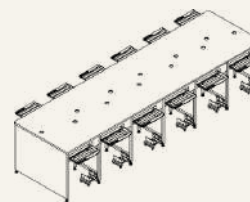
ISLAND TABLE - COMPUTER SCIENCE



14 x 4 x 2.7 ft.

WITH partition

- ✓ Focused Learning: Individual workspaces with separation partitions.
- ✓ Comfort & Organization: Adjustable keyboard tray and CPU trolley for ergonomic use and clutter reduction.
- ✓ Durability & Style: Robust construction with a premium granite worktop, customizable with various color options.
- ✓ Convenience: Optional electrical add-ons for easy power access.



14 x 4 x 2.7 ft.

WITHOUT partition

- ✓ Focused Learning: Wide workspaces without separation partitions.
- ✓ Comfort & Organization: Adjustable keyboard tray and CPU trolley for ergonomic use and clutter reduction.
- ✓ Durability & Style: Robust construction with a premium granite worktop, customizable with various color options.
- ✓ Convenience: Optional electrical add-ons for easy power access.

STANDARD SIZE LAB FURNITURE

ISLAND TABLE - MATHEMATICS

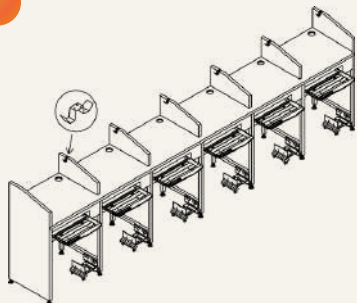


Customized size and design

Customized Table

- ✓ Made with 40 x 40 mm CRCA hollow square tube for stability.
- ✓ Versatile Table Shapes - Round, hexagon, pentagon, triangle, and more for interactive learning.
- ✓ Durable Worktops - Epoxy-coated black granite for long-lasting use.
- ✓ Ample Storage - Display cupboards, open racks, and chart racks for organized storage.

ISLAND TABLE - LANGUAGE LAB



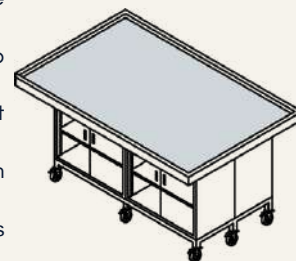
Customized Table

- ✓ Designed with a keyboard tray for comfortable use.
- ✓ Student separators for a focused learning environment.
- ✓ Headphone hanging clamps for organized storage.
- ✓ Epoxy-coated black granite worktop, ensuring durability and easy cleaning.
- ✓ Sturdy CRCA rectangular tube structure & covering panels with GI sheets, finished with epoxy powder coating for longevity.
- ✓ Customizable color options to match lab aesthetics.

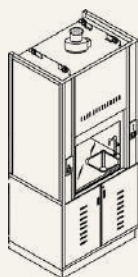
ISLAND TABLE - ROBOTICS



- ✓ Strong & Durable: Made with 40 x 40 mm CRCA hollow square tube for stability.
- ✓ Smart Storage & Ventilation: Full-length partition under the tabletop with 30 x 30 mm air vents for airflow.
- ✓ Easy Mobility: PU heavy-duty industrial wheels (with and without brakes) for smooth movement.
- ✓ Premium Work Surface: 18 mm ISI-grade plywood, laminated on both sides for durability.
- ✓ Reinforced Edges: 38 mm ISI-grade plywood, laminated on both sides with edge banding.
- ✓ Optional Storage: Under-bench storage cupboards available.



LABORATORY FUME CUPBOARD



- ✓ Material: Electro-Galvanized (G.I.) Sheet with Epoxy Powder Coat Finish
- ✓ Resistance: Chemical & Heat Resistant with a Smooth, Easily Cleanable Surface
- ✓ Panels: 3 mm Thick PP for Durability and Easy Maintenance
- ✓ Storage: Cabinets with Cupboards, Two Horizontal Partitions, and Shutters
- ✓ Baffles: Fully Aerodynamic, Made of 3 mm PP
- ✓ Worktop: 18 mm Thick ± 2 mm Black Granite, Easy to Clean, Chemical & Heat Resistant.





BIOLOGY LAB FURNITURE



CHEMISTRY LAB FURNITURE



PHYSICS LAB FURNITURE



COMPUTER LAB FURNITURE



MATHS LAB FURNITURE



LIBRARY LAB FURNITURE

Why Choose Metrolabs



100% SAFE



Unmatched Safety – Effectively eliminates harmful fumes, creating a healthier and safer environment for students and teachers.



Ergonomic & User-Friendly – Smartly designed for comfort, easy handling, and smooth operation in daily lab activities.



Superior Durability – Built with high-grade galvanized iron sheets for long-lasting strength and low maintenance.



Customizable Ventilation – Choose from inline or remote blower options for optimal airflow and performance.



CBSE-Comply Design – Engineered to meet national safety standards for all school laboratories.



Budget-Friendly Solutions – Delivering premium quality at affordable prices, ideal for school budgets.



Expert Installation & Support – Enjoy a hassle-free setup with complete professional guidance and after-sales support.

 **Get a Free Design & Consultation Today!**

Contact us for expert advice on safe and efficient school lab fume cupboards.

 Call/WhatsApp: 7010075103 / 97910 33315

 Email: enquiry@schoolabfurniture.com

 Visit: www.schoolabfurniture.com



Scan this QR code to explore our YouTube video on Lab Fume Hood

METROLABS SCHOOL LAB FURNITURE: COMPLETED PROJECTS & TESTIMONIALS

Real stories of joy and growth from our customers



"Metrolabs delivered high-quality, durable lab furniture that perfectly meets CBSE standards. Our students now enjoy a modern, well-organized learning space."

B S Mootha CBSE School, Chennai ★★★★★

"The customized lab tables and ergonomic stools have transformed our science and math labs into engaging and efficient spaces."

The Aalam School, Coimbatore ★★★★★



"Metrolabs provided a lab setup that meets global education standards. Highly recommended!"

Brooklyn National Public School, Bengaluru ★★★★★

"Excellent craftsmanship and top-notch materials – our labs are now safer and more efficient."

Nasr Boys School, Hyderabad ★★★★★



Begin your School's journey with us and see why Principals & Correspondences love being part of our partner & family. Your school's success story awaits

METROLABS SCHOOL LAB FURNITURE: COMPLETED PROJECTS & TESTIMONIALS

Real stories of joy and growth from our customers



"The attention to detail in design and execution is outstanding. Our labs have become a benchmark for quality."

**Skill Stork International School,
Hanamakonda**



"Metrolabs transformed our outdated labs into state-of-the-art learning spaces."

**Life Valley International School,
Kottayam**



"Their expertise in school lab furniture is unmatched. Functional, durable, and aesthetically pleasing designs."

**Bhaktivedanta National School,
Mayapur**



"Metrolabs exceeded our expectations with their quality products and timely execution."

St. Thomas School, Kanpur



"From design to installation, Metrolabs provided exceptional service and high-quality lab furniture."

**Indoscots Foundation School,
Pune**



Simple techniques to maintain lab furniture

REGULARLY INSPECT LAB TABLES, BENCHES, AND STORAGE UNITS FOR DAMAGE

- ✓ **Lab Tables & Benches:** Check for surface cracks, dents, loose fittings, or damage to protective coatings. Ensure stability and load capacity.
- ✓ **Storage Units:** Inspect for swelling, warping, or corrosion. Verify hinges, locks, and ventilation.



WIPE SURFACES AFTER EACH USE

- ✓ Use a damp cloth with mild detergent.
- ✓ Remove chemical residues and dust.
- ✓ Maintain hygiene and prevent microbial growth.
- ✓ Extend the life of protective coatings.



USE PROTECTIVE MATS OR TRAYS FOR EXPERIMENTS INVOLVING CORROSIVE CHEMICALS.

Always use protective mats or trays when handling corrosive chemicals to:

- ✓ Place under experiments involving corrosive or staining chemicals.
- ✓ Shield tables and benches from accidental spills.
- ✓ Make cleanup faster and safer.



KEEP CHEMICALS IN LABELED, AIRY, AND SPECIFIC STORAGE

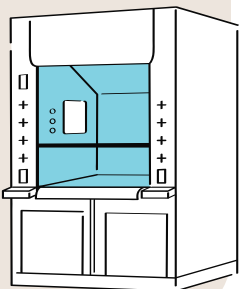
Store chemicals in properly labeled, ventilated, and designated compartments to:

- ✓ Keep in labeled, dry, and ventilated storage cabinets.
- ✓ Use separate compartments for acids, bases, and flammable materials.
- ✓ Prevent accidental mixing and comply with CBSE safety norms.

CLEAN GLASS SASH & INNER SURFACES OF FUME CUPBOARDS

Clean the glass sash and inner surfaces regularly to:

- ✓ Use suitable cleaners to maintain visibility and safety.
- ✓ Ensure smooth operation of the sash.
- ✓ Prevent residue buildup and maintain fume extraction efficiency.



USE MILD DISINFECTANTS TO CLEAN THE SINK AREA AND DRAIN COVERS.

Use mild disinfectants to clean the sink area and drain covers to:

- ✓ Apply mild disinfectants to remove stains, mold, and bacteria.
- ✓ Prevent clogs and unpleasant odors.
- ✓ Maintain a hygienic work environment.



Official YouTube Channel

www.youtube.com/@schoollabfurniture

Scan this QR code to explore our YouTube channel for more updates and videos.



Dear Customer !

Scan this QR code using your mobile to visit our YouTube channel! Discover useful, interesting, and professional videos about School Laboratory and Classroom Furniture.

- Lab Furniture Designs** for Physics, Chemistry & Biology Labs
- Innovative Layouts** for Maths Lab & Computer Science Lab
- Classroom Furniture solutions** for all classes
- Real Installation Videos** from CBSE Schools
- Customization & CBSE Compliance** Practical tips for perfect setups
- Safety Solutions** Fume Hoods, Eyewash Units, MCBs & more
- Quick 60-Second Shorts** Fast learning & design inspiration



Subscribe and tap the **bell icon** to explore fresh ideas in furniture design, installation, safety, and customization for schools across India.



Essential Lab Safety Training and Certification

At Metrolabs, we don't just provide advanced and high-quality laboratory furniture – we also ensure a safe learning environment for students, teachers, and schools.

Along with installation, we offer dedicated classroom training on laboratory safety, helping everyone understand proper handling, precautions, and emergency response inside the lab.

Training Includes:

- ◆ **Students**
Empowering young learners with essential laboratory safety knowledge before they step into the lab – fostering confidence, awareness, and responsibility.
- ◆ **Lab Instructors & Teachers**
Equipping educators with a clear understanding of safety protocols so they can confidently guide students and maintain a safe learning environment.
- ◆ **Schools**
Demonstrating your institution's commitment to safety and compliance by ensuring every laboratory meets the highest safety standards.

- Exam-Based Certification.**
- Open to All Schools.**
- Lab Safety Rules & Best Practices.**
- Safe Handling of Chemicals & Equipment.**
- Personal Protective Equipment (PPE) Usage.**
- Waste Disposal & Environmental Care.**



CLASSROOM FURNITURE

Innovate Your Learning Spaces

Why Choose METROLABS?

- **Experience & Expertise:** Decades of experience in lab furniture and now, specialized classroom solutions.
- **Comprehensive Service:** From initial design concepts to manufacturing, supply, and professional installation.
- **Quality & Durability:** Furniture built to withstand the rigors of daily school life.
- **Student-Centric Design:** Ergonomically designed for comfort, focus, and enhanced learning.
- **Customization:** Tailored solutions to meet your specific classroom needs and aesthetic.

B. The "Regular Pattern" - Smart & Reliable *

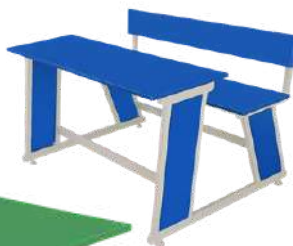
Description: Our classic, smart classroom furniture designed for everyday learning and durability.

Our Regular Pattern furniture: The foundation of a productive classroom.



A. The "Z Pattern" - Compact & Modern *

Description: An innovative, space-saving design perfect for maximizing classroom layouts.



Experience the modern efficiency of our Z-Pattern furniture.

www.schoolclassroomfurniture.com

70100 75103 / 97910 33315

Classroom Furniture

MODEL - 1



MODEL - 2



MODEL - 3



MODEL - 4



All the above models are available in single, two, three-seater options.



OUR VALUABLE CLIENTS LIST

ANDHRA PRADESH

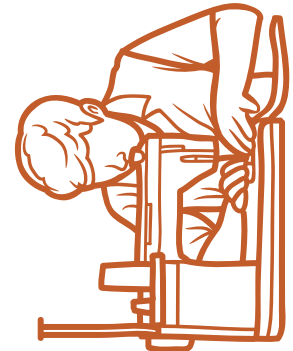
- St Augustine E.M School, Amaravati.
- Nehru High School, Banaganapalli.
- Abhyas The Global School, Bhimavaram.
- Don Bosco English Medium School, Guntur.
- GEMS Public School, Guntur.
- JMJ English Medium High School, Nambur, Guntur.
- International Delhi Public School, Kurnool.
- Monte International School, Kurnool.
- Montessori Indus E.M High School, Kurnool.
- Montessori Senior Secondary School, Kurnool.
- Sri Veda ICSE School, Madanapalle.
- K-Ridge International School, Narasaraopet.
- Ithaka School, Nellore.
- Forefront International School, Pedalanka.
- Academic Heights Public School, Tirupati.
- Think Infinity School, Tirupati.
- Dream India School, Tiruvuru.
- Amali English Medium High School, Vijayawada.
- Sri Viswasanthi Educational Institutions, Vijayawada.
- Academic Heights Public School, Visakhapatnam.
- Sri Vedham Educational Society, Visakhapatnam.
- Sri Krishnaveni Group of School, Zaheerabad.

TELANGANA

- Lead India Bharat Ratnas School, Bandalaguda.
- Birla Open Minds School, Hanamkonda.
- Greenwood High School, Hanamkonda.
- Skill Stork International School, Hanamkonda.
- SPR School of Excellence High School, Hanamkonda.
- Vihan High School, Hanamkonda.
- Arbor School Cambridge, Madhur, Hyderabad.
- Arbor School CBSE, Madhur, Hyderabad.
- Astra Lumina School, Bachupally, Hyderabad.
- Birla Institute of Technology and Science, Hyderabad.
- Birla Open Minds school ,Bandalaguda Jagur, Hyderabad.
- Birla Open Minds school ,LB Nager, Hyderabad.
- Brigade public school ,Aramghar, Hyderabad.
- Brigade public school ,Gurramguda, Hyderabad.
- Candiidus International School, Patencheru, Hyderabad.
- Delhi Public School, Nalagandla, Hyderabad.
- Focus High School, Old city, Hyderabad.

Custom Classroom Furniture by
Metrolabs

We can design and manufacture classroom furniture tailored to your specific design, size, and quantity requirements.



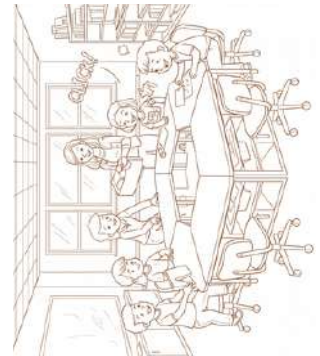
OUR VALUABLE CLIENTS LIST

TELANGANA

- Infinity World School, Lingampally, Hyderabad.
- Insignis Transnational School, Lingampally, Hyderabad.
- Iris Florets School, Suraram, Hyderabad.
- Iris Florets World School Bongloor, Hyderabad.
- Johnson Grammar School CBSE, Habsiguda, Hyderabad.
- Johnson Grammar School IB, ICSC, Nacharam, Hyderabad.
- JRS International School, Hyderabad.
- Jyoti Educational Society (The Celestia School), Hyderabad.
- Kennedy High The Magnet School, Kukatpally, Hyderabad.
- Kiran International School, Uppal, Hyderabad.
- Laurus the School of Excellence, Nizampet, Hyderabad.
- LIPI School, Nizampet, Hyderabad.
- LRG Public School, Hindupuram.
- Manthan International school, Tellapur, Hyderabad.
- Meridian Educational Society, Hyderabad.
- Meru Educational Society, Miyapur, Hyderabad.
- Meru Educational Society, Tellapur, Hyderabad.
- Meru International School, Miyapur, Hyderabad.
- Nasr Boys School, Hitech City, Hyderabad.
- Nasr Girls School, Khairatabad, Hyderabad.
- Neo Geetanjali School, JNTU, Hyderabad.
- Neo Geetanjali School, Pragati nager, Hyderabad.
- Neo School Aizza, Malakpet, Hyderabad.
- Pheonix Greens School of Learning, Kokapet, Hyderabad.
- Prachin Foundation, Hyderabad, Banur, Hyderabad.
- Prachin Global school, Sankarapally, Hyderabad.
- pragati pathways school, Pragati nager, Hyderabad.
- Prakruthi The School, Serilingampalle, Hyderabad.
- Radcliffe School, Balanagar, Hyderabad.
- Rainbow International School, lingampally, Hyderabad.
- Ryan International School, Kondapur, Hyderabad.
- Sanctus World School, B. N Reddy Nagar, Hyderabad.
- Astra Lumina School, Bachupally, Hyderabad.
- Sanskriti The School, Saroor Nagar, Hyderabad.
- Sattva academy, Sankarapally, Hyderabad.
- Shloka -A Birla School, LB nager, Hyderabad.
- Skanda The School, Hyderabad.
- Slate the School, Bowrampet, Hyderabad.
- SMP Universal School, Sankarapalli, Hyderabad.
- Sparkling Star School SES, Nizampet, Hyderabad.
- Srividya's Abhyasana School, Nallagandla, Hyderabad.

Tailor-Made Classroom Furniture

At Metrolabs, we create furniture that fits your design, classroom size, and material preferences — perfectly matching your classroom layout.



OUR VALUABLE CLIENTS LIST

TELANGANA

- St Mark's Boys Town High School, Hyderabad.
- St. Gregorios Public School, Yacharam, Hyderabad.
- Suchitra Academy, Suchitra x road, Hyderabad.
- Sunflower School, Diamond point, Hyderabad.
- Sunflower Vedic School, Medchal, Hyderabad.
- Surya the Global School, Miyapur, Hyderabad.
- The Premia Academy, Hyderabad.
- Time School, Bandlaguda Jagir, Hyderabad.
- Unicent School, Bowrampet, Hyderabad.
- Vista School, Next to Wipro SEZ, Hyderabad.
- Wings of Wonder, Hyderabad.
- Harvest Public school, Khammam.
- Cedar Valley International School, Khammam.
- Spring Leaf school, Khammam.
- The Suraka School, Kollur.
- Balajee Arun Educational Society, Malkajgiri.
- Greenwood School (CBSE), Mancherial.
- Mount Litera Zee School, Nalgonda.
- Sri Guru Raja International School, Nandyal.
- Ithaka International School, Nellore.
- Padmavathi Vidyalaya, Nellore.
- Ravindra Bharathi, Nellore.
- Nishitha International School, Nizamabad.
- Tagore High School, Shadnagar.
- Accomplish Academy, Shamshabad.
- Geetha Junior College, Toopran.
- Bhrungy International School, Vikarabad.
- Birla Open Mind International High School, Warangal.
- Greenwood High School, Hunter Road, Warangal.

BIHAR

- Mount Litera Zee School, Patna South

GOA

- Fatima Convent High School, Madgaon.

GUJARAT

- Vijay International School, Godhra.

HARYANA

- Shri Ram Global School, Gurgaon.

We are in YouTube
Subscribe to Our YouTube Channel!

Explore engaging and informative videos
on School Laboratory & Classroom
Furniture — designed to inspire, educate,
and transform learning spaces.



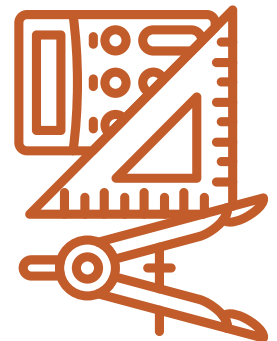
scan the QR code

OUR VALUABLE CLIENTS LIST

KARNATAKA

- Pavithra Educational Society, Arsikere.
- Sri Siddalingeshwara Education Trust, Bellary.
- Sri Vasavi Vidyalaya, Ballari.
- Taga School, Ballari.
- Taha English Medium School, Ballari.
- Abhyaas International School, Bengaluru.
- Air Force School, Hebbal, Bengaluru.
- Ashok Composite PU College, Bengaluru.
- Auden Public School, Bengaluru.
- Auro Mirra International School, Bengaluru.
- Auxilium School, Bengaluru.
- Brooklyn National Public School, Bengaluru.
- BRS Global School, Bidaraguppe, Bengaluru.
- BRS Global School, Kasavanahalli, Bengaluru.
- Carmel Academy, Gottigere, Bengaluru.
- Chitrakoota Kaushalya School, Bengaluru.
- Chitrakoota School, Bengaluru.
- Christ Academy ICSE School, Bengaluru.
- Christ Academy P.U College, Bengaluru.
- Christ Junior College, Bengaluru.
- Christ School, Bengaluru.
- Elixir International School, Bengaluru.
- Endeavour's International School and PU College, Bengaluru.
- Ever Grace Public School, KR puram, Bengaluru.
- Ever Grace Public School, Whitefield, Bengaluru.
- Explorer's Academy, Varthur, Bengaluru.
- First Steps (Leela Trust), Bengaluru.
- Frank Public School, Bengaluru.
- Garden City Pre-University College, Bengaluru.
- Gnana Bindu Vidyalaya, Bengaluru.
- Green Dot International School, Bengaluru.
- Gurukul Academy, Kadugodi, Bengaluru
- Innovative School of Excellence, Bengaluru.
- Jaihind International School, Hongasandra, Bengaluru.
- Little Flower Public School, Bengaluru .
- Maple Global School, Bengaluru.
- Marigold International School, Bengaluru.
- MEC PU College, Bengaluru.
- MEC Public School, Bengaluru.
- National Public School Jayanagar, Bengaluru.
- National Public School, Bengaluru.

Engaging and curriculum
Aligned Mathematics Kits for **Junior**
and Senior school students.

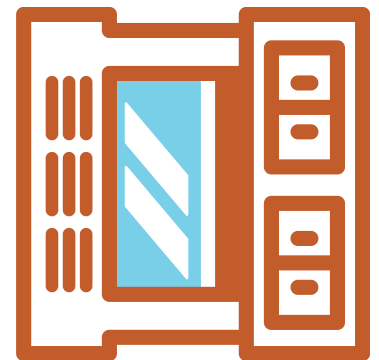


OUR VALUABLE CLIENTS LIST

KARNATAKA

- National Public School, North West, Bengaluru.
- Navodaya kishore Kendra, Bengaluru.
- New Baldwin International School (Attibele Rd), Bengaluru.
- New Baldwin International School (Chandapura), Bengaluru.
- New Baldwin international school (HSR), Bengaluru.
- New Baldwin International School (Kodathi), Bengaluru.
- New Baldwin International School (Menasiganahalli), Bengaluru.
- New Baldwin International School, Budigere, Bengaluru.
- New Nation Academy High School (KR Puram), Bengaluru.
- Pacts Education Chartiable Trust, Bengaluru.
- Paramount Public School, Adur, Bengaluru.
- Prestige International School, Bengaluru.
- Prince Academy, Bengaluru.
- Ravindra Bharathi Global School, Bommanahalle, Bengaluru.
- Ravindra Bharathi Global School, Marthahalle, Bengaluru.
- Royal School, Bengaluru.
- Ryan International Academy, Horamavu, Bengaluru.
- Ryan International Academy, Sarjapur, Bengaluru.
- Saraswathi Vidya Mandira, Bengaluru.
- Sri Sharada PU College, Bengaluru.
- Sharada Vidya Mandira, Kadugodi, Bengaluru.
- Shlok International School, Anekal Taluk, Bengaluru.
- SISA Kendra, Bengaluru.
- Smt. Kamalabai Educational Institutions, Bengaluru.
- Sofia Public School, Bengaluru.
- Sri Kumaran Children's Home, Bengaluru.
- Sri Sri Ravishankar Vidya Mandir, Bengaluru.
- Sri Vani Education Centre Trust, Bengaluru.
- Sri Venkateshwara Educational Trust, Bengaluru.
- Srinidhi Public School, Bengaluru.
- SSVS International School, Bengaluru.
- St Mary's Public School, Bengaluru.
- St Thomas School, Bengaluru.
- St. John's Medical College, Bengaluru.
- St.Benedict's School, Bengaluru.
- St.Mary's PU College, Bengaluru.
- Sun Jupiter International School, Bengaluru.
- Regency Public School, Bengaluru.
- Tattva School, Bengaluru.
- The Green School, Bengaluru.
- United World Academy School, Bengaluru.

School Fume Hood
Designed as per CBSE Norms for Safe
Chemical Handling and Ventilation



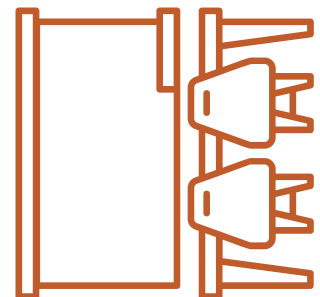
OUR VALUABLE CLIENTS LIST

KARNATAKA

- Vidya mandir Senior Sec School, Bengaluru.
- Wellspring Academy, Bengaluru.
- Don Bosco ICSE School, Bidar.
- Guru Nanak Dev Public School, Bidar.
- Jnanasagara International Public School, Channarayapatna.
- Green Valley Global School, Chikkamagaluru.
- Origin International School, Davanagere.
- Pearl Public School, Harapanahalli.
- Jnanasagara PU college, Hassan .
- Lions PU College, Haveri.
- TVS Academy, Hirehalli.
- Rastriya Acadamy, Hiriyyur.
- The Global Indian School, Hiriyyur .
- Karnataka Public School, Holalkere.
- New Baldwin International Residential School, Hompalaghatta.
- Don Bosco School, Hoskote.
- The Polaris International School, Pethanahalli, Hoskote.
- Ashirwad School, Hunasagi.
- Highway English School, Kadur .
- Amit Patel Central School, Kalaburagi.
- Chandrakant Patil Central School, Kalaburagi.
- Chandrakant Patil English Medium School, Kalaburagi .
- Chandrakant Patil PU College of Science & Commerce, Kalaburagi.
- Chandrakant Patil Pubilc School, Kalaburagi.
- Sayyid Akbar Husayni School, Kalaburagi.
- Sri Veerendra Patil Public School, Kalaburagi.
- St. Thomas Pu College, Kanakapura.
- St. Ann's School, Kesere.
- Valley Public School, Narasapura, Kolar.
- Siddhaganga Public School, Kudalasangam.
- Krishi Vigyan Kendra, Mangaluru.
- Red Camels Islamic School, Mangaluru.
- Sri Vani Education Centre Trust, Mangaluru.
- Geetha Junior College, Medak.
- Air Force School, ASTE, Murugeshpalya.
- Good Shepherd Convent, Mysuru.
- Nirmala Convent School, Gokulam, Mysuru.
- St Mary English High School, Mysuru.
- St. Mary's English School, Mysuru.
- St Pious X School, Mysuru.
- Vasavi Central School, Mysuru.

Your Classroom. Your Design. Our Expertise.

If you're looking for made-to-order, high-quality classroom furniture, contact Metrolabs today!



OUR VALUABLE CLIENTS LIST

KARNATAKA

- Shanthi SSK PU College, Pavagada.
- Sri Krishna Podar Learn School, Raichur.
- Global Foundation, Ramanagara.
- Khannur Vidyanikethan, Ranibennur.
- Unnati PU College, Ranibennur.
- Indus International School, Sarjapur.
- Vybhav Pre-University College, Shiralkoppa.
- Karumbiah's Academy for Learning & Sports (KALS), South Kodagu.
- TVS Academy, Tumkur.

KERALA

- Montfort School, Idukki
- The Irinjalakuda DON BOSCO Society, Irinjalakuda
- The Guardian English School, Kasaragod
- Cochin International School. Kochi
- The Charter School, Kochi
- Life Valley International School, Kottayam
- The Tiny Seed, Kottayam
- Paadashaala English Medium School, Peringottukurussi
- Cochin Refineries School, Thiruvaniyoor

MAHARASHTRA

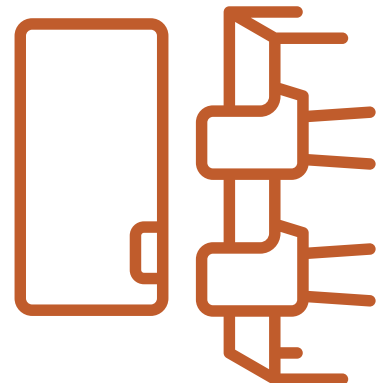
- Dayanand School, Latur
- Empyrean School, Navi Mumbai
- Parner Public School & JR. College of Science, Parner
- Indo Scots Foundation School, Pune
- Skywards International School, Samawada
- Dr Bhanudas G.Dere English Medium School, Sangamner

MADHYA PRADESH

- Jagran Lakecity University School, Bhopal
- Unique International School, Chhindwara
- St. Paul's School, Gwalior
- Satya Prakash Public School, Jabalpur
- Chavara Vidhya Bhavan Hr. Sec. School, Mandideep
- Deepak Memorial Academy, Sagar
- Bharat International School, Satna
- Seth Anandram Jaipuria School, Satna
- Lourde Mata Convent Senior Secondary School, Sehore
- Bhartiyam School, Beohari, Shahdol
- Scholars academy, shujalpur
- Vatsalya Senior Secondary School, Vidisha

Where Every Classroom Gets Its Own
Design

We offer a few standard models, but our real strength is making furniture that fits your ideas and classroom perfectly. Unique, strong, and made for learning.



OUR VALUABLE CLIENTS LIST

ODISHA

- KiiT International School, Bhubaneswar
- DAV Public School, Nayapalli

PONDICHERY

- Don Bosco Matriculation Higher Secondary School, Karaikal

PUNJAB

- Army Public School, Abohar

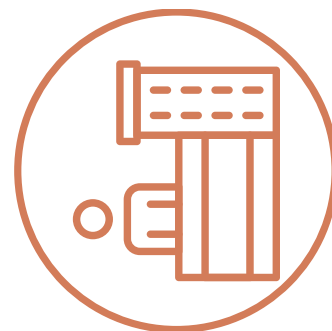
RAJASTHAN

- Vikas International School, Jaipur
- Krishna Public School, Sardarshahar

TAMIL NADU

- Sri Krish International School, Angadu.
- Montfort School, Aranthangi.
- Don Bosco Boys Home, Ariyalur.
- Golden Gates Global School, Ariyalur.
- Sowbagya Vidhya Mandir, Ariyalur.
- Selva International School (CBSE), Bargur.
- Sree Gokulam Public School, Chengalpattu.
- St Paul's Academy (CBSE), Chengalpattu.
- Vikas Mantra Public School, Chengalpattu.
- Al Hira Model School, T Nagar, Chennai.
- Alwin Memorial Public School, Selaiyur, Chennai.
- Annai Arul Public School, Madambakkam, Chennai
- Baalyaa Senior Secondary School, Keelkattalai, Chennai.
- Bharrathi Vidyashram, Padappai, Chennai.
- Birla Open Minds International School, Athipet, Ambattur, Chennai.
- D.A.V. School, Sriperumbudur Taluk, Kancheepuram.
- D.A.V. School, Adambakkam, Chennai.
- Don Bosco Matriculation Higher Secondary School, Chennai.
- Don Bosco School of Excellence, Egmore, Chennai.
- GGN International School, Chromepet, Chennai.
- GMA International School, Pozhichalur, Chennai.
- Good Word Public School, Red Hills, Chennai.
- Green Field Chennai International School, Madhavaram, Chennai.
- ICF Vidyaniketan, Konnur, Chennai.
- Kola Saraswathi Vaishnav Senior Sec School, Kilpauk, Chennai.
- Maharishi Vidya Mandir, Avadi, Chennai.

Versatility and Future-Proofing
Built for Today's Lesson, Designed
for Tomorrow's Science.

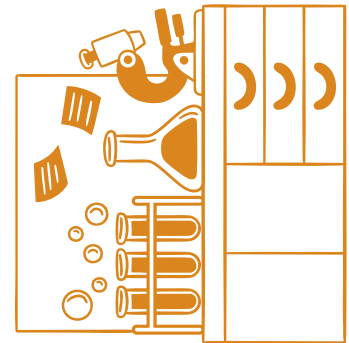


OUR VALUABLE CLIENTS LIST

TAMIL NADU

- Maharishi Vidya Mandir, Polachery, Chennai.
- Maharishi Vidya Mandir, Mangadu, Chennai.
- Mahathma Gandhi Vidalaya, T Nagar, Chennai.
- Montfort School, Sriperumbudur, Kancheepuram.
- Olive Tree Global School - CBSE, Manjambakkam, Chennai.
- P N E T Global School, Ambattur, Chennai.
- Padmashree CBSE School, Kolathur, Chennai.
- Peace On Green Earth Public School, Kollachery, Chennai.
- Pon Vidyashram CBSE School, Velacherry, Chennai.
- Pon Vidyashram CBSE School, Injambakkam, Chennai.
- Pon Vidyashram CBSE School, Kolapakkam, Chennai.
- Pon Vidyashram CBSE School, Valasaravakkam, Chennai.
- Ramakrishna Mission Vidyapith, Mylapore, Chennai.
- Ravindra Bharathi Global School, Pallikaranai, Chennai.
- Rudrappasamy School, Ambattur, Chennai.
- SAN Academy, Pallikaranai, Chennai.
- SBIOA International School, Sonalur, Chennai.
- SBIOA Global School, Anna Nagar West, Chennai.
- SBOA Mat.H.Sec School, Anna Nagar West, Chennai.
- Scope Global School, Mogappair East, Chennai.
- Sethu Bhaskara Matri Hr Sec School, Ambattur, Chennai.
- Shri B S Mootha Girls Sr. Secondary School, Mambalam, Chennai.
- Sri Bala Vidyalaya - Perambur, Chennai.
- Sri Krish International School, Kovur, Chennai.
- Sri Krish Global School, Kovur Chennai.
- Sri Lakshminarayana Matric Hr.Sec. School, Kodungaiyur, Chennai.
- SS Citizen School, Pattabiram, Chennai.
- St Bedes Anglo-Indian Higher Sec School, Santhome, Chennai.
- St. Gregorios Public School, Mogappair West, Chennai.
- St. Paul's Mat. Hr . Sec. School, Tambaram Sanatorium, Chennai.
- The Lords' International School, Chennai.
- The Shri Ram Universal School, Perambur, Chennai.
- Valliammal Matric Hr Sec School, Anna Nagar, Chennai.
- Veera Savarkar Nethaji School, Lakshmipuram Chennai.
- Velankanni Matriculation Hr.Sec. School, Kodungaiyur, Chennai.
- Velankanni Matriculation Hr.Sec. School, Ashok Nagar, Chennai.
- Velankanni Public School, Kodungaiyur, Chennai.
- Zion International Public School, Mappedu, Chennai.
- Zion Matriculation Hr. Sec. School, East Tambaram, Chennai.
- Saint Expury School, Cheyyur.

Safety and Ergonomics
Learn Safe, Learn Smart: Where
Safety Meets Scientific Discovery.



OUR VALUABLE CLIENTS LIST

TAMIL NADU

- Vellai Thamarai Matriculation School, Chinnakattupalayam.
- Trinity Central School, Chithirankodu.
- Annai Abirami Matriculation Hr Sec School, Coimbatore.
- Best CBSE School, Karungal.
- Brilliant Higher Sec School, Coimbatore.
- Don Bosco School of Excellence, Coimbatore.
- Elgi School, Coimbatore.
- GRD Public School, Coimbatore.
- Stanes Higher Secondary School Trust Association, Coimbatore.
- The Alam School, Coimbatore.
- Vivekalaya's Vichara World School (Sanatana Trust), Coimbatore.
- ARLM School, Cuddalore.
- Tagore Matric Hr Sec School, Cuddalore.
- Ram Jayam Vidya Matric Hr.Sec School, Cumbum.
- Veveaham Prime Academy, Dharapuram.
- Maharishi Vidya Mandir, Erode.
- Rotary Club of Erode, Erode.
- Velalar Vidyalayaa CBSE School, Erode.
- Vivegam Vidhya Bhavan Matric School, Erode.
- SRM Public School, Guduvancheri.
- St.John's Matriculation School, Guduvancheri.
- Al-Azhar Matriculation Higher Secondary School, Kadayanallur.
- RM Jain Public School, Kakkalur.
- Janus Global CBSE School, Kanchipuram.
- Jeeva Memorial Public School, Thirukazhukundram.
- Sooryan Matriculation School, Kanchipuram.
- Sethu Irani Matric Hr.Sec. School, Karaikudi.
- PUM School, Sukkaliyur, Karur.
- The Adrian Loyal School, Karur.
- Shree Sai Knowledge Park, Kulithalai.
- Maharishi Vidya Mandir, Kumbakonam.
- Lakshmi Vidya Sangham TVS School, Madhurai.
- Shree Sankalapa School, Maraimalai Nagar.
- Sivananda Rajaram Senior Sec School, Maraimalai Nagar.
- Aadhiparasakthi Matriculation Hire Sce. School, Melmaruvathur.
- G.B. Public School, Melmaruvathur.
- MAPIMS, Melmaruvathur.
- Metro Matriculation Higher Secondary School, Mettupalayam.
- Mar Gregorios Public School, Mogappair.
- Delhi Public School, Nallambakkam.
- Mount Litera Zee School, Navalur.

Low Maintenance, High Durability

Low-Maintenance, Durable Labs
Designed for Safe, Smart & High-Focus
Learning Environments



OUR VALUABLE CLIENTS LIST

TAMIL NADU

- Alwin International Public School, Padappai.
- Velammal Vidhyashram (CBSE), Padappai.
- GEM School (Pioneer Educational Trust), Palladam.
- St.Vincent Pallotti Matric Hr Sec School, Pallavaram.
- Bon Secoure Public School, Pattukottai.
- N V Matriculation School, Pollachi.
- Maharishi Vidya Mandir, Rasipuram.
- Sri Krish International School, Rathinamangalam.
- Salem Sri Sowdeswari Matriculation School, Salem.
- Aditya Public School, Sholinganallur.
- Global International School, Sivagangai.
- Jeppiaar Remibai Educational Trust, Sriperumbudur.
- Maharishi International Residential School, Sriperumbudur.
- Monfort School (CBSE), Sriperumbudur.
- ARS Mother's Gurukulam, Tenkasi.
- Rane Vidyalaya, Theerampalayam.
- Sree Vikasaa Vidhyalaya Public School, Theni.
- Pearl Public School, Thiruchendur.
- Jaya Public School, Thirunindravur.
- SVS International School, Thiruthuraiipoondi.
- Don Bosco Matriculation School, Thiruvallur.
- RM Jain Group of School, Thiruvallur.
- Mount St Joseph Central School, Thiruvannamalai.
- Mount St Joseph Matriculation Hr Sec School, Thiruvannamalai.
- Oyster Learning Initiative Matriculation Hsc School, Tiruvarur.
- R.C Fathima Matriculation School, Thiruvarur.
- Velavan Public School, Thoothukudi.
- Al Jamieathus Sadhik Matriculation School, Tiruchirapalli.
- Alpha Wisdom Vidyashram Senior Sec School, Tiruchirapalli.
- Monfort School (CBSE), Tiruchirapalli.
- Arpudham Samuel Public School, Tirunelveli.
- Don Bosco CBSE School, Tirupattur.
- Don Bosco School of Excellence, Tirupattur.
- Aalaya Academy Montessori & CBSE School, Tiruppur.
- Saraswathi Matric School, Urapakkam.
- Meenakshi Ammal Global School, Uthiramerur.
- Sri Thirusulakkaliyamman Matriculation School, Uthiramerur.
- The Loyola Academy, Vadamelppakkam.
- Crescent School, Vandalur.

Where Safety is Standard
Laboratories thoughtfully designed to
enhance learning, creativity, and
hands-on exploration.



OUR VALUABLE CLIENTS LIST

TAMIL NADU

- ELGI Matric Hr Sec School, Vellore.
- Sri Sankara Matriculation School, Vellore.
- Carmel Public School, Veppampattu.
- St. Joseph's School, Vikravandi.
- Sacred Heart Central School, Villuppuram.

UTTAR PRADESH

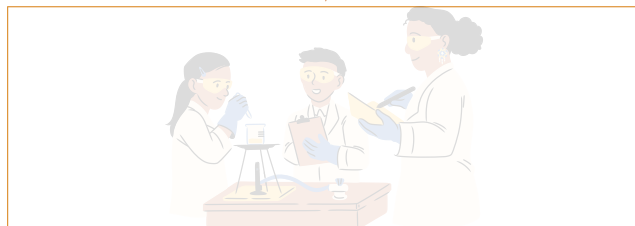
- R K Mission School, Ballia
- R R Morarka Public School, Bijnor
- R S Public School, Gorakhpur
- Seth MR Jaipuria School, Gorakhpur
- Dalimss Sunbeam School, Jaunpur
- Oxford Model Senior Secondary School, Kanpur
- St.Thomas School, Kanpur
- R.S Global School, Prayagraj
- Shri HemKund Public School, Raebareli

WEST BENGAL

- Bhaktivedanta National School, Mayapur
- North Point Residential School, Siliguri
- Purushottam Bhagchandka Academic School, Kolkata
- St. Xavier's High School, Howrah

🏫🌟 **Join our success journey— We'd be proud to add your school's name to our growing list of satisfied Schools* that trust us for quality laboratory and classroom furniture.** 🏫🌟

Please enter your school name.

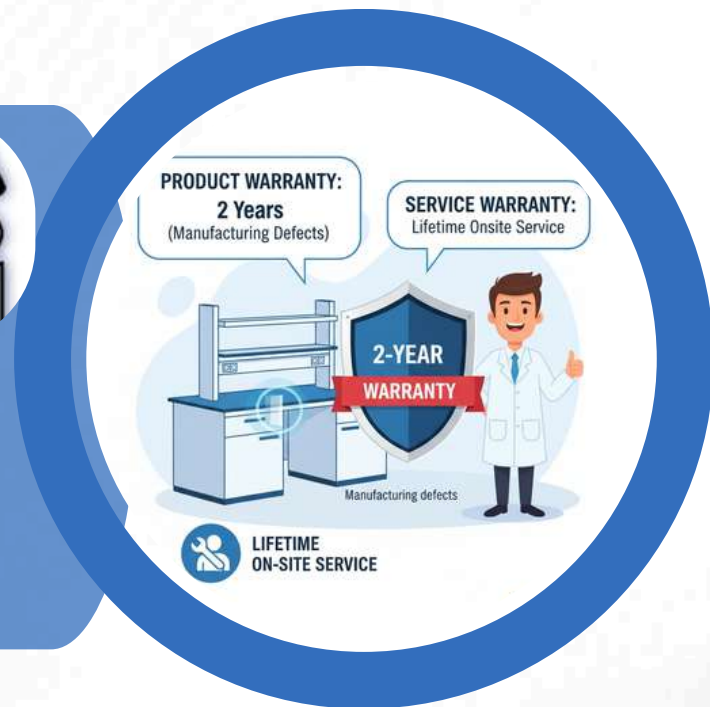


We take pride in including your school among our respected and valued clients.

SCHOOL LABORATORY FURNITURE



EXCLUSIVE BENEFITS FOR YOU!



GET OUR SERVICES



WARRANTY & GUARANTEE

✓ **Product Warranty:** Our laboratory furniture products come with a 2-year warranty. The warranty period may vary for different products and is applicable from the date of supply, covering all manufacturing defects.

✓ **Service Warranty:** Paid onsite service for furniture life time.



LIVE UPDATES, EXCLUSIVE CONTENT

◆ **Factory & Finished Project Visit:** Once your purchase order is placed, you get exclusive access to:

Our manufacturing units to witness our production quality.

Nearby completed lab furniture installations for a first-hand experience of our craftsmanship.

◆ **Live Order Tracking:** Stay updated with real-time order status through WhatsApp and email notifications at every stage of production.



COMPLIMENTARY SERVICES

FREE Site Visit & Custom Design: Get expert guidance, layout planning, and customized designs for all your laboratory projects—absolutely free!

Laboratory Safety Training: On request, we provide safety training for students and staff, covering essential Do's & Don'ts in the lab. Participants will also receive certificates for attending.

FREE Safety & Educational Posters: We supply essential Lab Safety Posters, Periodic Table Charts, and Do's & Don'ts guidelines upon lab installation.



Connect with Us Online

schoollabfurniture.com

facebook.com/schoollabfurniture

instagram.com/schoollabfurniture

youtube.com/@schoollabfurnitureee

linkedin.com/company/schoollabfurniture

WE ARE THERE WHEN YOU NEED US

- FREE DESIGN
- Perfect Quality Manufacturing
- Safe Door-step Supply
- On-time Installation & Completion
- After Sales, Service



7010075103



WWW.SCHOOLLABFURNITURE.COM

We are there when you need us !

SCHOOL

Design | Manufacture | Supply | Install

CLASSROOM FURNITURE

Smart Furniture for Smarter Schools



We can design and build tailor-made classroom furniture to match your ideas and perfectly fit your classroom size.

Z Pattern

- ✓ Compact Z-shaped design ideal for classroom layouts.
- ✓ Durable MDF with premium laminate finish.
- ✓ Sturdy metal frame for long-lasting performance.
- ✓ Designed to support posture and comfortable seating for extended hours.

Regular Pattern

- ✓ Regular – Smart, Classroom Furniture for Everyday Learning.
- ✓ Durable & Organized: Regular Desk for Modern Classrooms.
- ✓ Built for Comfort, Designed for Learning.
- ✓ Strong Build, Smarter Storage.
- ✓ Enhance Learning Spaces; The Reliable Classroom Desk



Scan this QR code to explore our YouTube video on classroom Furniture

